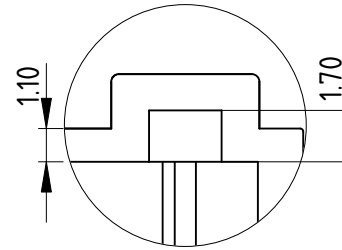
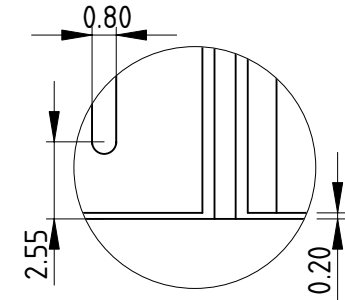


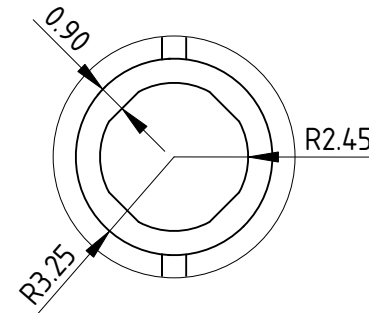
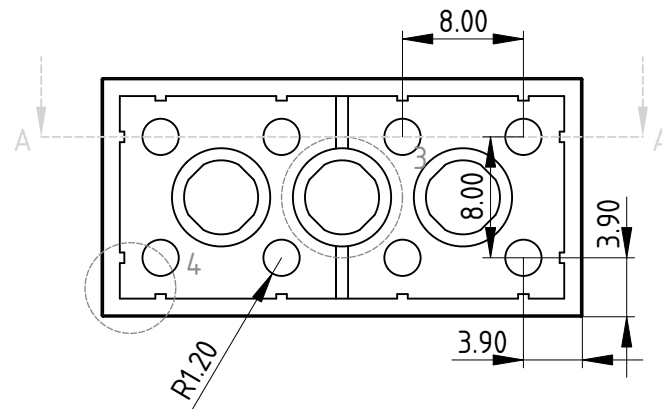
A-A



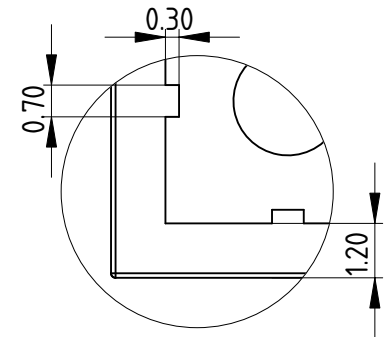
1



2



3



4

Created by: <b>Vectronic</b>	Title: <b>Brick 4x2</b>	Size: <b>A4</b>	Sheet: <b>2 / 2</b>	Scale: <b>2 : 1</b>
Supplementary information:  <a href="https://github.com/vectronic/freecad-legify-macros">https://github.com/vectronic/freecad-legify-macros</a>		Part number:		
		Drawing no.:		
		Date: <b>22/10/2021</b>	Revision: <b>REV C</b>	

