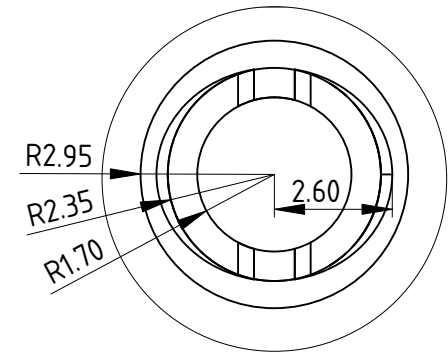
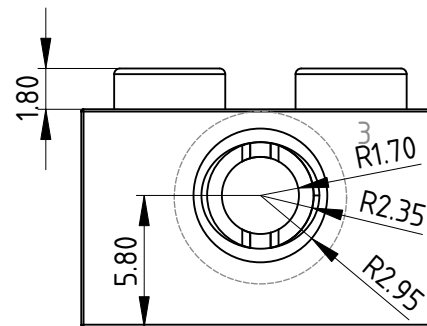


2



1



3

Created by: <b>Vectronic</b>	Title: <b>Brick 2x1 with Technic Pin</b>	Size: <b>A4</b>	Sheet: <b>1 / 2</b>	Scale: <b>3 : 1</b>
Supplementary information: <a href="https://github.com/vectronic/freecad-legify-macros">https://github.com/vectronic/freecad-legify-macros</a>		Part number:		
		Drawing no.:		
		Date: <b>16/11/2021</b>	Revision: <b>REV A</b>	

