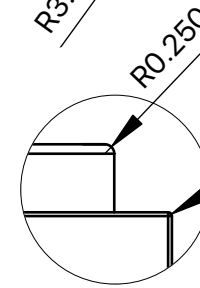
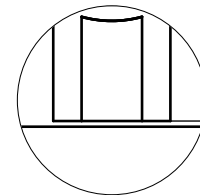


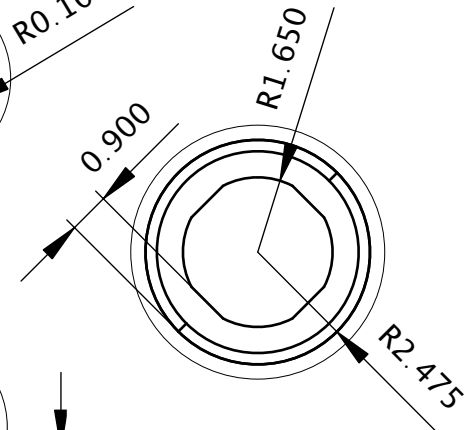
A-A



1



3



2

Created by: vecronic	Title: Technic Brick 4x1	Size: A4	Sheet: 1 / 1	Scale: 2 : 1
Supplementary information: https://github.com/vecronic/freecad-legify-macros		Part number:		
		Drawing no.:		
		Date: 25/07/2020	Revision: REV A	

