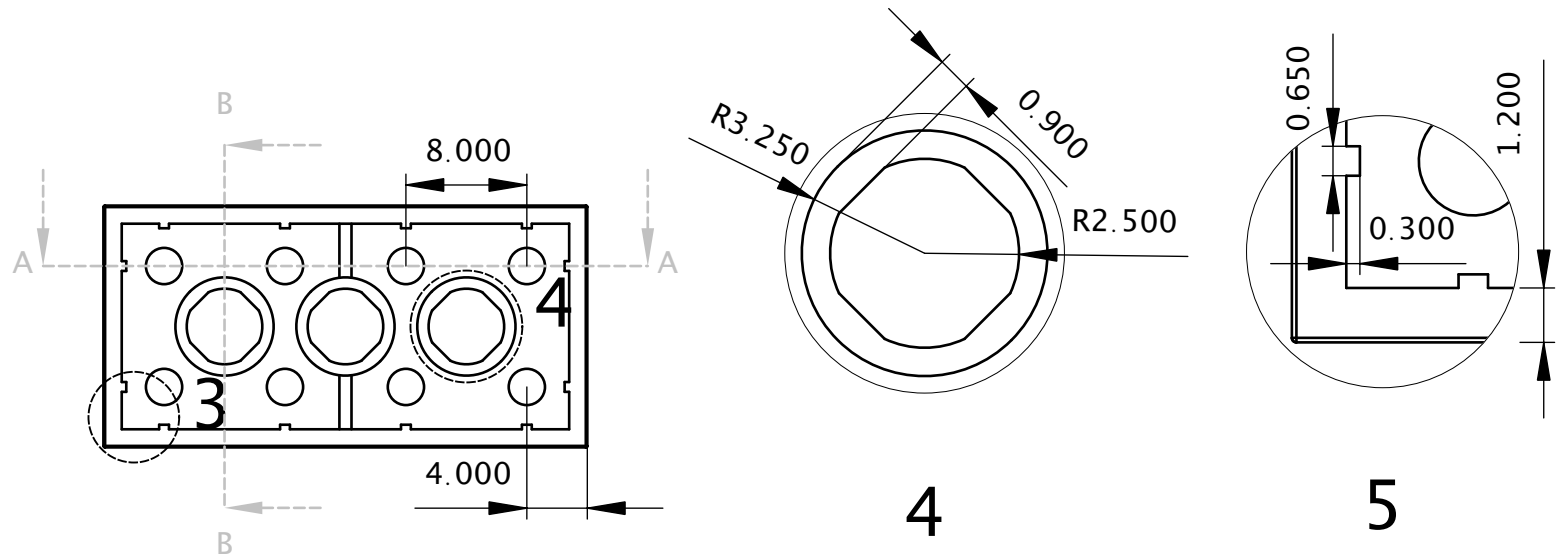


**B - B**



Created by: <b>vecronic</b>	Title: <b>Brick 4x2</b>	Size: <b>A4</b>	Sheet: <b>2 / 2</b>	Scale: <b>2 : 1</b>
Supplementary information: <a href="https://github.com/vecronic/freecad-legify-macros">https://github.com/vecronic/freecad-legify-macros</a>		Part number:		
		Drawing no.:		
		Date: <b>01/08/2020</b>	Revision: <b>REV A</b>	

