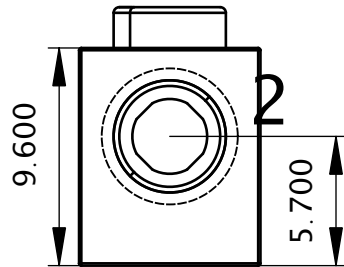
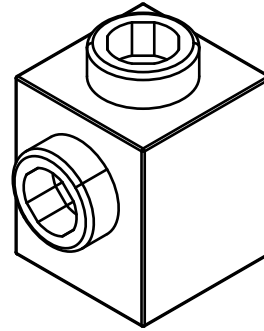
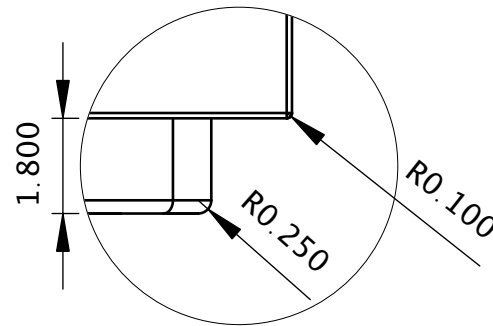


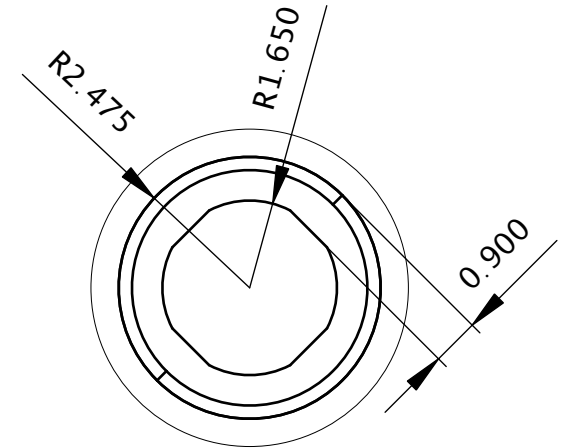
1



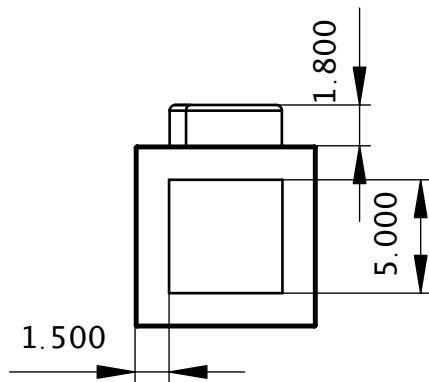
2



1



2



Created by: vecronic	Title: Brick 1x1 Front Stud	Size: A4	Sheet: 1 / 1	Scale: 3 : 1
Supplementary information: https://github.com/vecronic/freecad-legify-macros		Part number:		
		Drawing no.:		
		Date: 01/08/2020	Revision: REV A	

