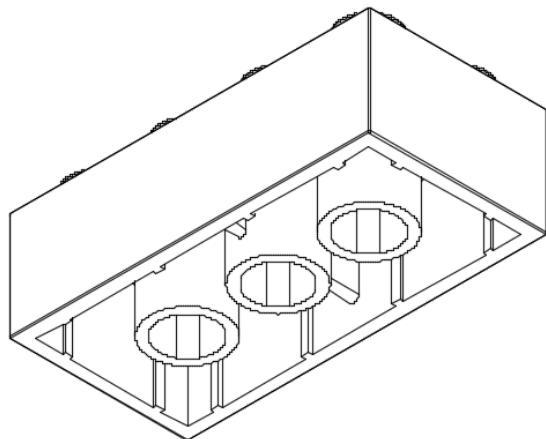


1 2 3 4 5 6 7 8

A



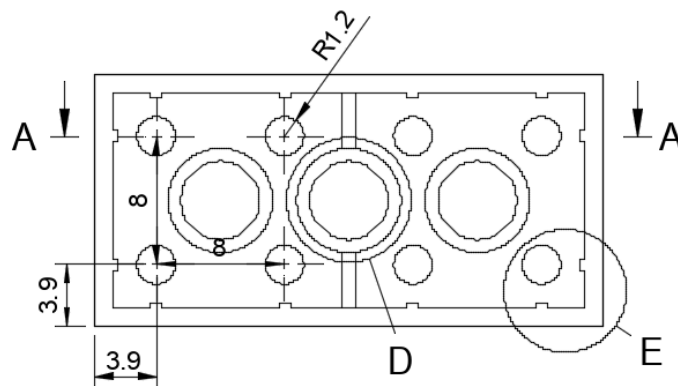
B

C

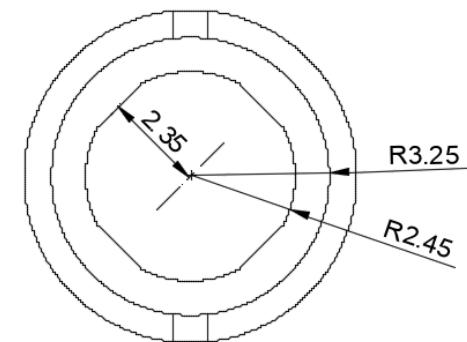
D

E

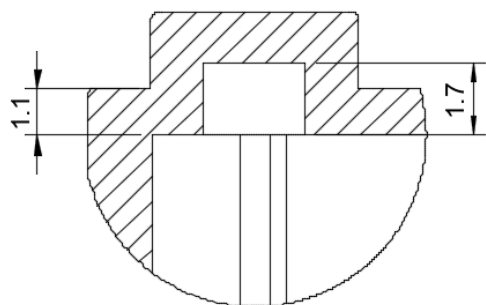
F



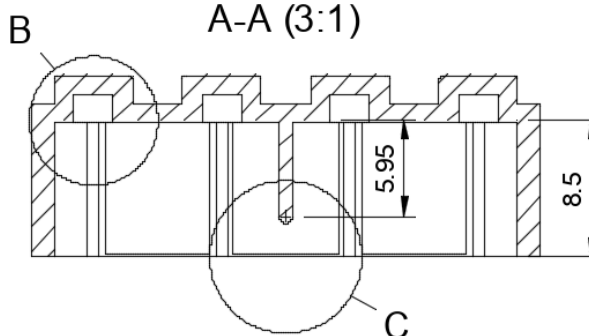
D (8:1)



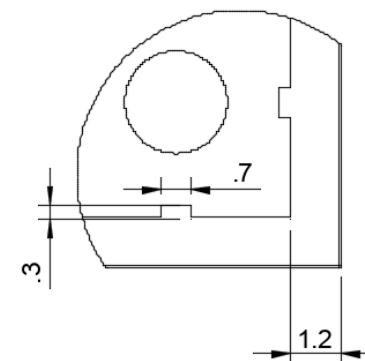
B (8:1)



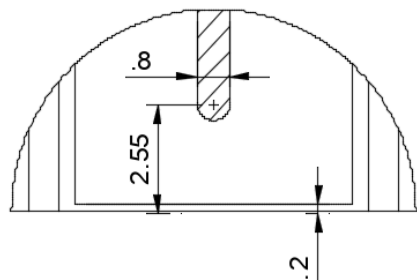
A-A (3:1)



E (8:1)



C (8:1)



Dept.	Technical reference	Created by <b>vecronic</b>	20/09/2022	Approved by
		Document type	Document status	
		Title <b>brick 4x2</b>	DWG No	
Rev.	Date of issue	Sheet		
1	20/09/2022	2/2		

1 2 3 4 5 6 7 8