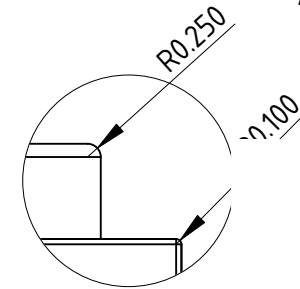
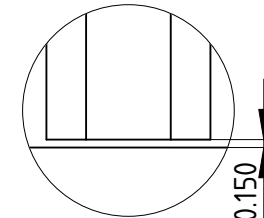


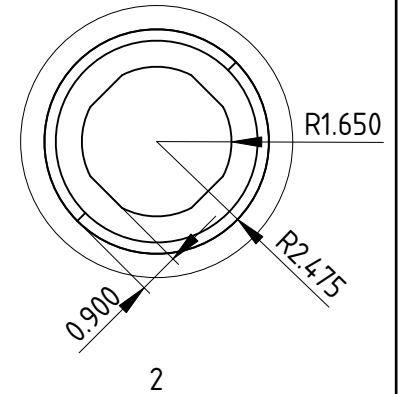
A-A



1



3



2

Created by: <b>Vectronic</b>	Title: <b>Technic Brick 4x1</b>	Size: <b>A4</b>	Sheet: <b>1 / 1</b>	Scale: <b>2 : 1</b>
Supplementary information: <a href="https://github.com/vectronic/freecad-legify-macros">https://github.com/vectronic/freecad-legify-macros</a>		Part number:		
		Drawing no.:		
		Date: <b>20/03/2021</b>	Revision: <b>REV B</b>	

