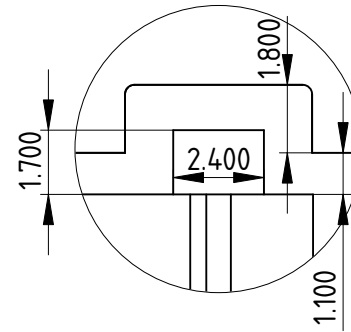
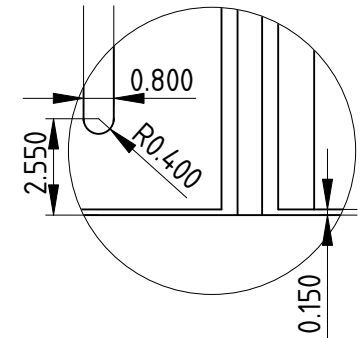


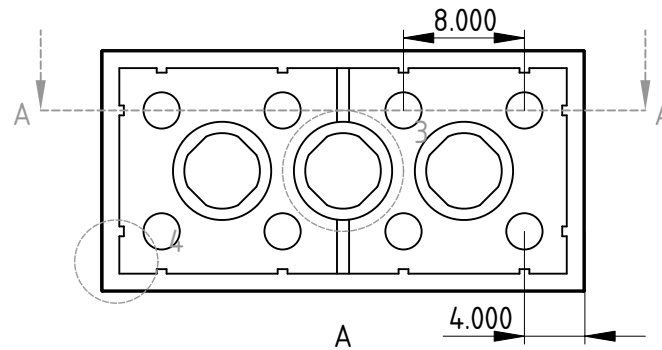
A-A



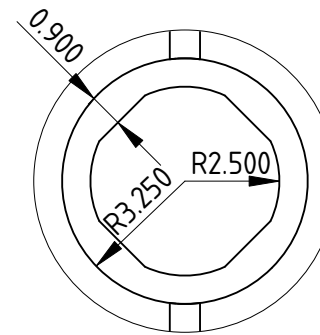
1



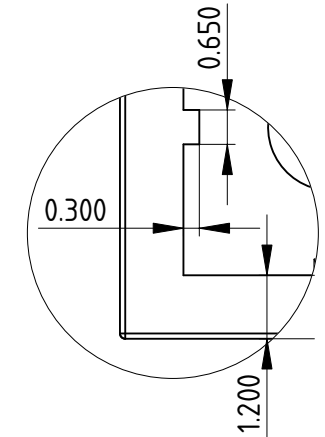
2



A



3



4

Created by: Vectronic	Title: Brick 4x2	Size: A4	Sheet: 2 / 1	Scale: 2:1
Supplementary information: https://github.com/vectronic/freecad-legify-macros		Part number:		
		Drawing no.:		
		Date: 21/02/2021	Revision: REV B	

